

2006-2018 Mack Vehicles Installation Guide [for HRN-CK10K2 and HRN-CM24Y1 harnesses]

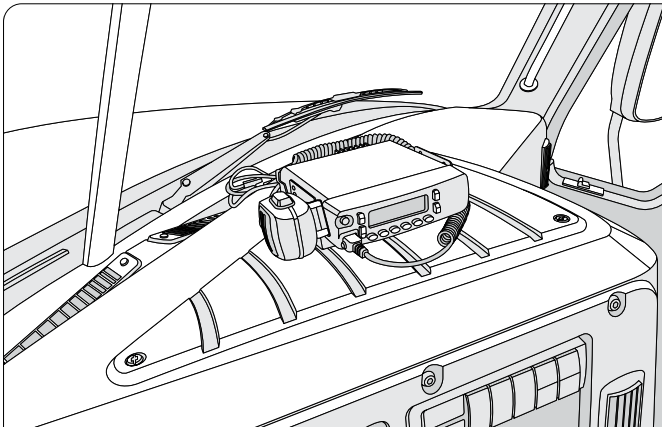
Introduction

This installation guide provides information on how to install the HRN-CK10A2 and HRN-CM24Y1 harnesses in 2006 to 2018 Mack vehicle models with fuse box using terminal bus bar. (This document does not apply to Mack cab over models)

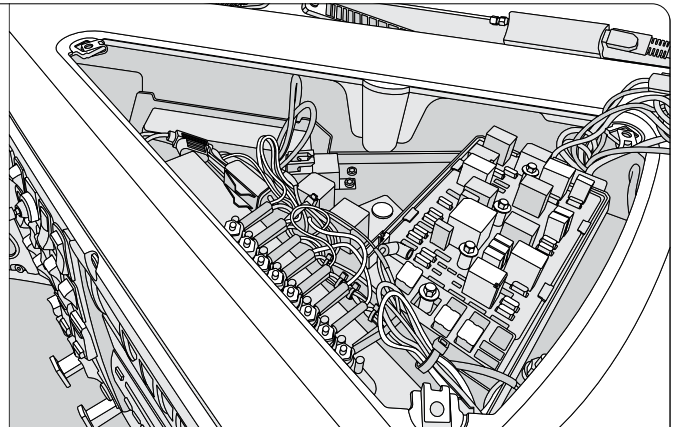
How to Install

2006-2018 Mack Vehicles

To install the HRN-CK10A2 and HRN-CM24Y1 harnesses in 2006 to 2018 Mack vehicle models, follow the steps below:

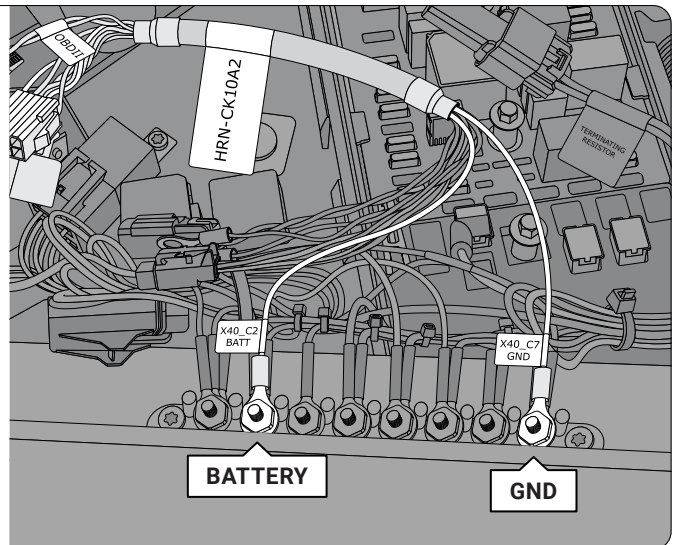


Step 1: Locate and remove the fuse box panel.



Step 2 : Connect the red wire from the HRN-CK10A2 harness (labeled **BATT**) into the second pin (labeled **Battery** on the bus bar).

Step 3: Connect the black wire from the HRN-CK10A2 harness (labeled **GND**) into the eighth pin (labeled **Ground** on the bus bar).

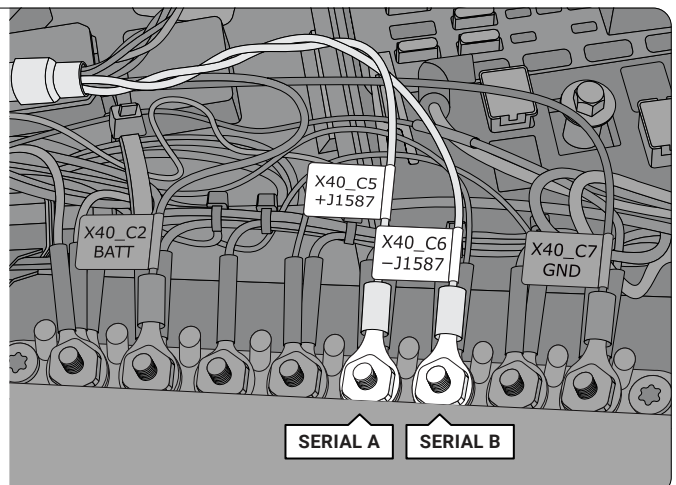


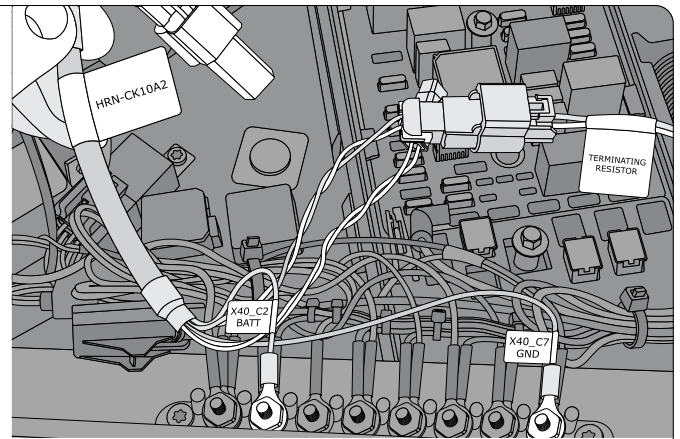
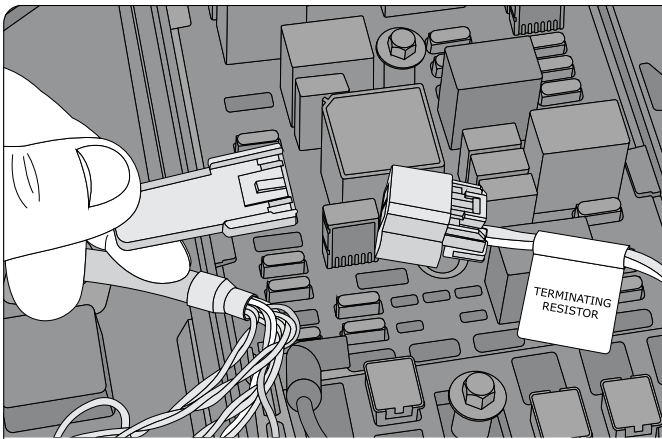
! 2008-2018 Mack vehicle models, skip to Step 4B.

Step 4A : Connect the brown wire from the HRN-CK10A2 harness (labeled **+J1587**) to the fifth pin (labeled **serial A** on the bus bar).

Step 5A : Connect the green wire from the HRN-CK10A2 harness (labeled **-J1587**) to the sixth pin (labeled **serial B** on the bus bar).

Skip to Step 6A.

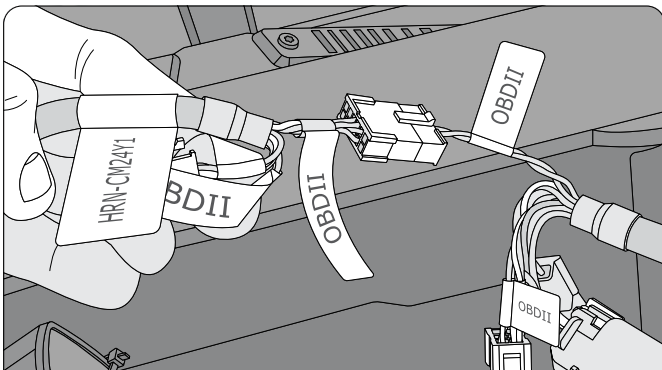




Step 4B: Locate the 2-pin J1939 connector in the fuse box and remove the EOL resistor.

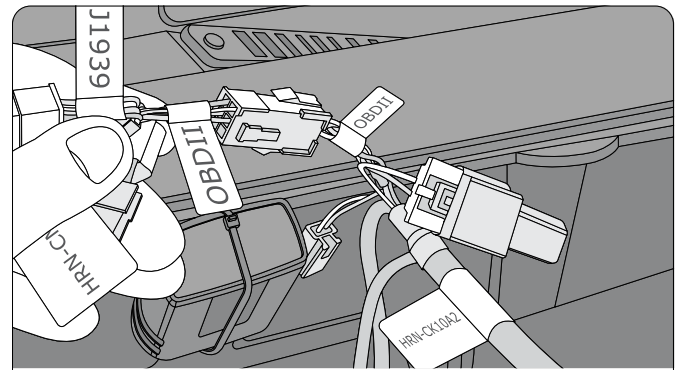
Step 5B: Plug the EOL resistor into the HRN-CK10A2 harness and plug the other end of the HRN-CK10A2 harness into the truck side from where the EOL was originally removed.

Skip to Step 6B.



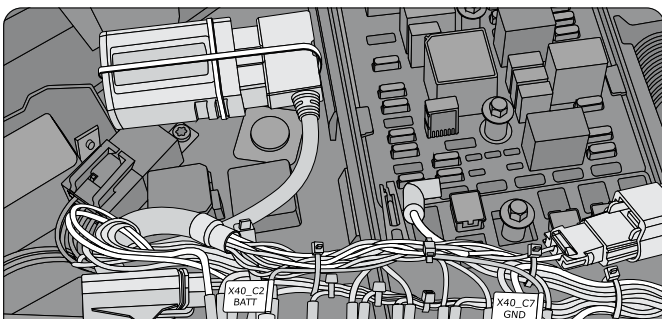
Step 6A : Connect the OBD II-labelled 12-pin black Molex connector from the HRN-CK10A2 harness to the OBD II-labelled 12-pin black Molex connector from the HRN-CM24Y1 harness.

Note: Only use when using the J1587 serial connections on the bus bar.

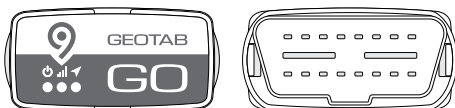


Step 6B: Connect the OBD II-labelled 6-pin white Molex connector from the HRN-CK10A2 harness to the OBD II-labelled 6-pin white Molex connector from the HRN-CM24Y1 harness.

NOTE: Only use when using J1939 2 pin connector with terminating resistor.



Step 7: Plug in the GO device, and use zip ties to secure the device and harnesses.



Mount the GO unit with the antenna facing upwards towards the sky.

Step 8: Navigate to installmygps.com to verify that the device is communicating. In the space provided, enter your name, the company name, and the GO device serial number – found at the bottom of the device. Click **Log Install**.

After you click **Log Install**, the web page displays the current communication status of the device – in **GREEN** or **RED** text. If the device is communicating, the status is displayed in **GREEN** text. If the device is not communicating, the status is displayed in **RED** text.

***NOTE:** if the device is not communicating, please verify the GO device is installed correctly and try again.